

# FLEX-MAT<sup>®</sup> 3 MODULAR REQUEST FOR QUOTATION



**MAJOR WIRE INDUSTRIES LIMITED**  
 ISO 9001:2008 Registered  
 225 North Montcalm Blvd.  
 Candiac (Quebec) Canada J5R 3L6  
 Phone: (450) 659-7681 Fax: (450) 659-5570  
 www.majorwire.cc major@majorwire.cc

From: \_\_\_\_\_

Company Name: \_\_\_\_\_

City: \_\_\_\_\_ State/Province \_\_\_\_\_

To: \_\_\_\_\_ Date: \_\_\_\_\_

It is helpful to Major Wire if all sections of the request for quote sheet are completed at the time of your quote request. We recognize that in some cases, all of the required information may not be available.

## CUSTOMER

(End User) \_\_\_\_\_ Contact \_\_\_\_\_

Address \_\_\_\_\_ City \_\_\_\_\_

State/Prov. \_\_\_\_\_ Zip/Code \_\_\_\_\_ Phone (\_\_\_\_\_) \_\_\_\_\_

## SCREEN BOX

Brand \_\_\_\_\_ Model \_\_\_\_\_ Dimension \_\_\_\_\_ X \_\_\_\_\_

Number of decks \_\_\_\_\_ Height between:- TOP & MIDDLE DECK \_\_\_\_\_ MIDDLE & BOTTOM DECK \_\_\_\_\_

Horizontal screen box  Inclined  \_\_\_\_\_ (degree of incline) Height of drop of feed \_\_\_\_\_

## MATERIAL

Type \_\_\_\_\_ Feed size <sup>(1)</sup> \_\_\_\_\_ Feed TPH \_\_\_\_\_ Density \_\_\_\_\_

Crushed  Natural  % Sand \_\_\_\_\_ Cubical  Elongated  Round  Flaky  Irregular

Temperature: ambient  over 79°C (175°F)  with water <sup>(2)</sup>  dry  % moisture \_\_\_\_\_

## PROBLEM TO RESOLVE

(specify which deck, % of humidity, temperature, etc.)

Clogging/blinding  Clay content  Pegging  Wear  Too little capacity  Breakage

Additional information \_\_\_\_\_

CURRENT PANEL SYSTEM	BRAND NAME	LOCKING SYSTEM TYPE	CURRENT OPENING	THICKNESS	EXACT DIMENSION OF CURRENT PANEL	REQUIRED SPEC OF PASSING PRODUCT
Top or 1st deck				<input type="checkbox"/> 30 mm (1.2") <input type="checkbox"/> 40 mm (1.6") <input type="checkbox"/> other		
2nd deck				<input type="checkbox"/> 30 mm (1.2") <input type="checkbox"/> 40 mm (1.6") <input type="checkbox"/> other		
3rd deck				<input type="checkbox"/> 30 mm (1.2") <input type="checkbox"/> 40 mm (1.6") <input type="checkbox"/> other		
FLEX-MAT <sup>®</sup> 3 MODULAR PANELS	QUANTITY REQUIRED	REQUESTED OPENING	REQUESTED TYPE FLEX-MAT	REQUESTED WIRE DIAMETER	REQUESTED WIRE TYPE OT or SS	REQUESTED PANEL DIMENSION
Top or 1st deck						
2nd deck						
3rd deck						

(1) Size of feed material being sent to the top deck of the screen machine.

(2) With water spray bars or washing equipment.

## Flex-Mat 3 Modular Panel Styles

Modular panels are available in a variety of locking systems with 2 frame thicknesses:

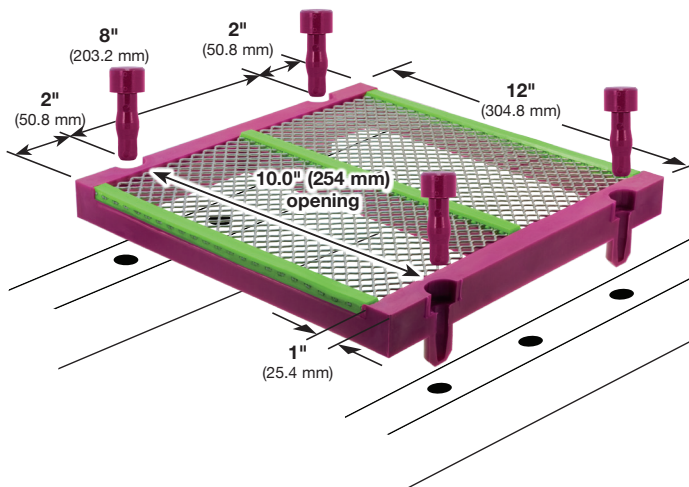
- 1) 1-3/16" (30 mm) for wire diameters of  $\leq$  .135" (3.4 mm) or
- 2) 1-9/16" (40 mm) for wire diameters of  $\geq$  .148" (3.8 mm).

Pin-type style in 12" (304.8 mm) x 12" (304.8 mm) for Regular 2" (50 mm) rail or for 1/2" (12.7 mm) Maxi rail; can be made to fit metric screen box. See Flex-Mat 3 specifications sheet for open area information.

### Pin-Type Styles

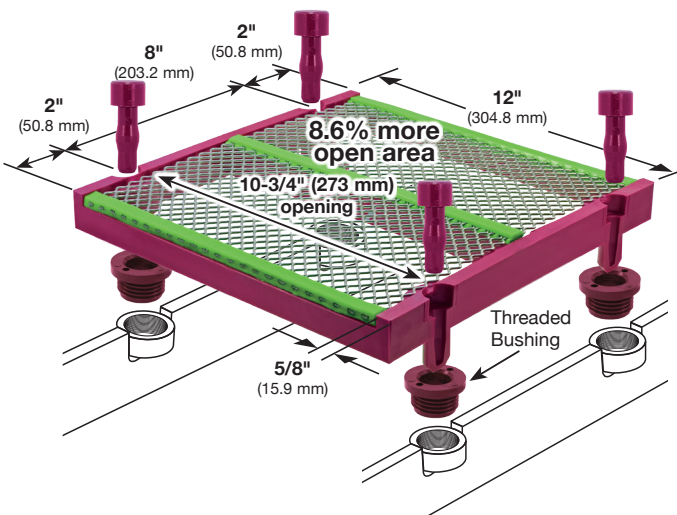
#### Regular

Use the Regular Panels for 2" (50.8 mm) rails



#### Maxi

Use the Maxi Panels for 1/2" (12.7 mm) rails



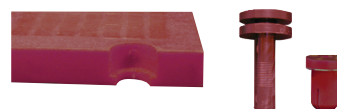
Pin-Type Panels are currently offered with three locking systems. **Please choose the correct locking system:**



**201** – Molded half-sleeve. Pin with 23 mm head. (Standard: stocked)



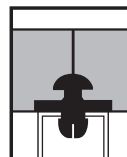
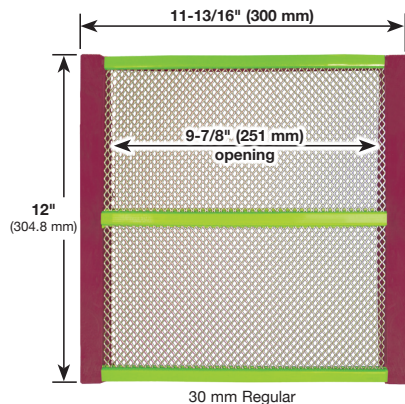
**202** – Molded half-sleeve. Pin with 33 mm head. (Special order)



**203** – Pin with 33 mm head and sleeve. (Special order)

### Grooved Style

Grooved style in 11-13/16" x 12" (300 mm x 304.8 mm)



Need knock-in bar to install modular panel

**Note:** If your panel type is not shown, please submit a sample of your current panel, detailed description or photo prior to the acceptance of the order.